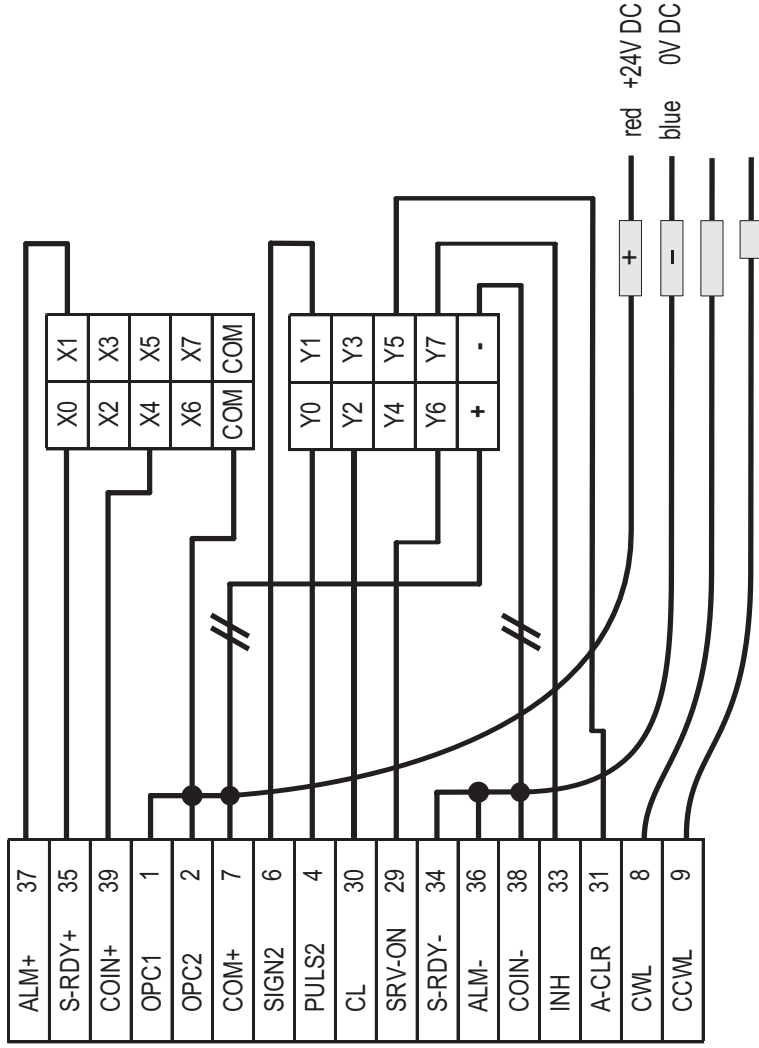


Connection cable MINAS A4/A5 servo driver to FPG NPN PLC

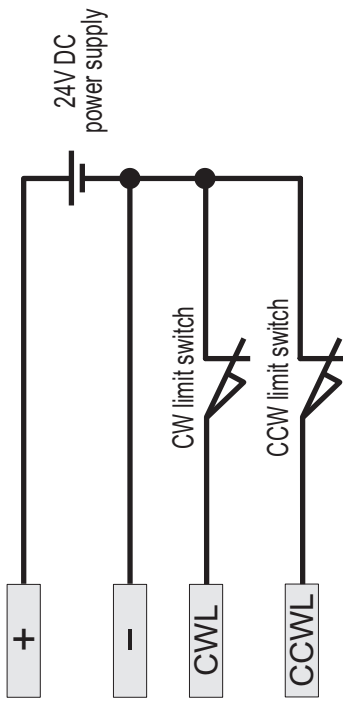
1 axis, 50 pin CN X5 connector, 2 x 10 pin MIL connector, length x m

MINAS A4
Servo driver
CN X5

← FP-Sigma (NPN)
2 x 10-pin MIL



Wiring of the power supply and the limit switches:



PLC I/O	Signal	Color Free Identification
X0	S-RDY	
X1	ALM	
X4	COIN	
Y0	Pulse	
Y1	Sign	
Y2	CL	
Y5	A-CLR	
Y6	SRV-ON	
Y7	INH	
	+24VDC	red
	0VDC	blue
	CWL	red long shrink w rap
	CCWL	red short shrink w rap

Specification Sheet

Product Number	Description		
DVOP0980W-x	Connection cable PLC - Servo		
Version	Date	designed by	approved
1.3	15.02.2011	Aicher	Millauer

Remarks:

- The cable length is specified by the last character of the product number.
- This cable is designed for use with PLC FPG-C32T2H or a comparable NPN type PLC.
- Do not use this cable to connect to MINAS A series servo amplifiers
- If you use limit switches, please refer to the corresponding manuals for further information.
- If you do not use limit switches, please insulate the connection wires to avoid trouble.
- For further information, please refer to the corresponding manuals.