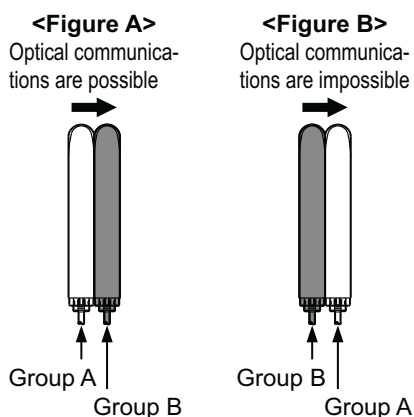


Panasonic® CAUTIONS ON SENSOR CONNECTION IN CASCADE

IMJECK-FX301CAU No.0044-50V

- When the units in the group A and the group B shown in the table below are connected in cascade, connect them in cascade as <Figure A> shown below.



Group A	FX-301(P): Conventional version unit (Note 1), FX-301G(P) / B(P) / H(P) FX-302(P), FX-303(P), LS-400 series (Note 2)
Group B	FX-301(P): Modified version unit (Note 1), FX-305(P), FX-301(P)-C1

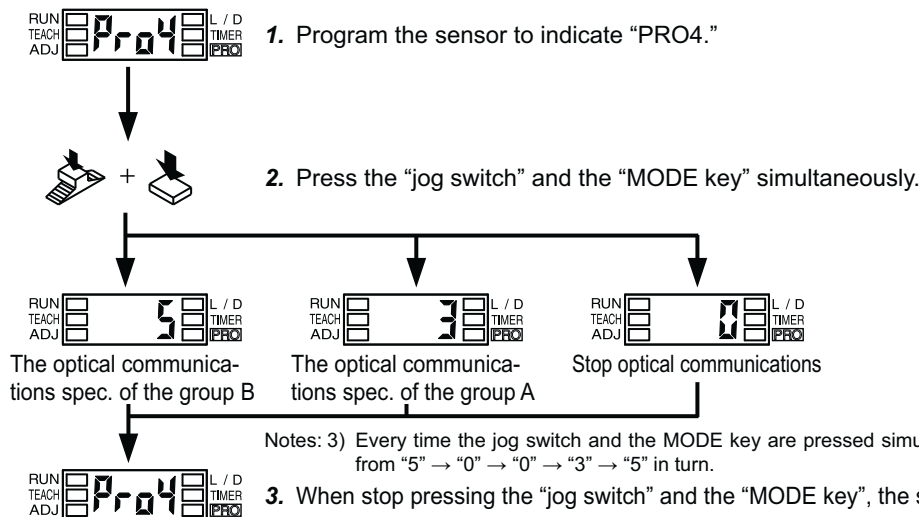
- Notes: 1) For the difference between the modified version unit and the conventional version unit, refer to the instruction manual enclosed with FX-301(P) "A DIFFERENCE BETWEEN THE MODIFIED VERSION UNIT AND THE CONVENTIONAL VERSION UNIT."
2) When LS-400 series is connected with the digital fiber amplifier in cascade, be sure to locate LS-400 series at the left-most position (when viewed from the connector side).

- When the units of the group A and the group B are connected in cascade as <Figure B> shown above, optical communications cannot be done. When the optical communications function is used, connect them as <Figure A> shown above. If the units cannot be placed as <Figure A>, the following measure 1 or 2 should be taken.
 - Affix the communication window seal of the accessory amplifier protection seal FX-MB1 to the communication window of the amplifier.
 - If the measure 1 described above cannot be taken, change the optical communications spec. of the group B units.

How to change the optical communications spec. of Group B units

- Follow the procedure given below to change the optical communications spec. of the group B units. Be sure to set the optical communications spec. to "3 (the optical communications spec. of the group A)" or "0 (stop of the optical communications)."

<Procedure to change>



- Notes: 4) When the optical communications spec. is set to "3 (the optical communications spec. of the group A)," be sure to mount the units close together. Furthermore, take care of the following.
- The optical communications function may not be usable due to the environment. etc.
 - Do not carry out the collective channel load or save.

Panasonic Industrial Devices SUNX Co., Ltd.

<http://panasonic.net/id/pidsx/global>

Overseas Sales Division (Head Office)

2431-1 Ushiyama-cho, Kasugai-shi, Aichi, 486-0901, Japan

Phone: +81-568-33-7861 FAX: +81-568-33-8591

About our sale network, please visit our website.