

**Panel Mounting Bracket
for DP-100 Series
MS-DP1-2**

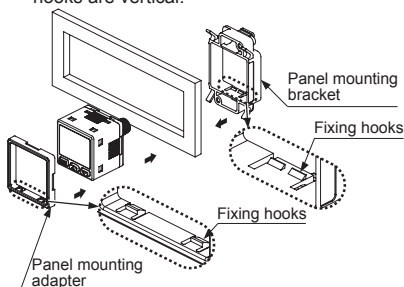
MJEC-MSDP12 No.0055-37V

How to mount

1. Fit the panel mounting adapter on the front side of the sensor. Mounting direction of the panel mounting adapter differs depending on the mounting direction of the panel mounting bracket. (Refer to the diagram below.)
2. Insert to the panel, in condition 1.
3. Insert the panel mounting bracket from the rear side of the sensor till it touches the panel.

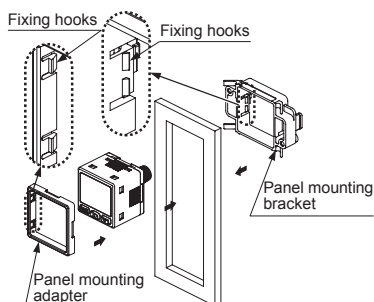
<For horizontal adjacent mounting>

- Mount the panel mounting adapter and the panel mounting bracket so that the fixing hooks are vertical.



<For vertical adjacent mounting>

- Mount the panel mounting adapter and the panel mounting bracket so that the fixing hooks are horizontal.

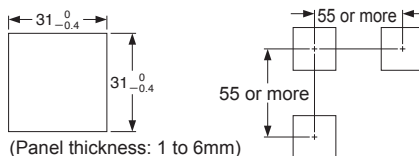


Thank you very much for purchasing Panasonic products. Read this Instruction Manual carefully and thoroughly for the correct and optimum use of this product. Kindly keep this manual in a convenient place for quick reference.

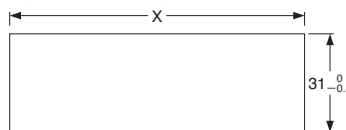
Dimensions of panel cutout

(Unit:mm)

<For single mounting>



<For adjacent mounting>



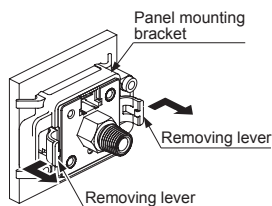
When n pieces are mounted

$$X = 31 \times n + 3.5 \times (n - 1)$$

(Note): In case of adjacent mounting, be sure to keep apart from each other in 55mm or more as well as for single mounting.

How to remove

- Pull out the panel mounting bracket while pushing the removing levers out.



(Note1) : Take care that it the sensor is forcibly pulled, the sensor itself or the panel mounting bracket may break.

(Note2) : Do not reuse the panel mounting adapter which has been used once.

Panasonic Industrial Devices SUNX Co., Ltd.

<http://panasonic.net/id/pidsx/global>

Overseas Sales Division (Head Office)

2431-1 Ushiyama-cho, Kasugai-shi, Aichi, 486-0901, Japan

Phone: +81-568-33-7861 FAX: +81-568-33-8591

For sales network, please visit our website.

© Panasonic Industrial Devices SUNX Co., Ltd. 2016

PRINTED IN JAPAN