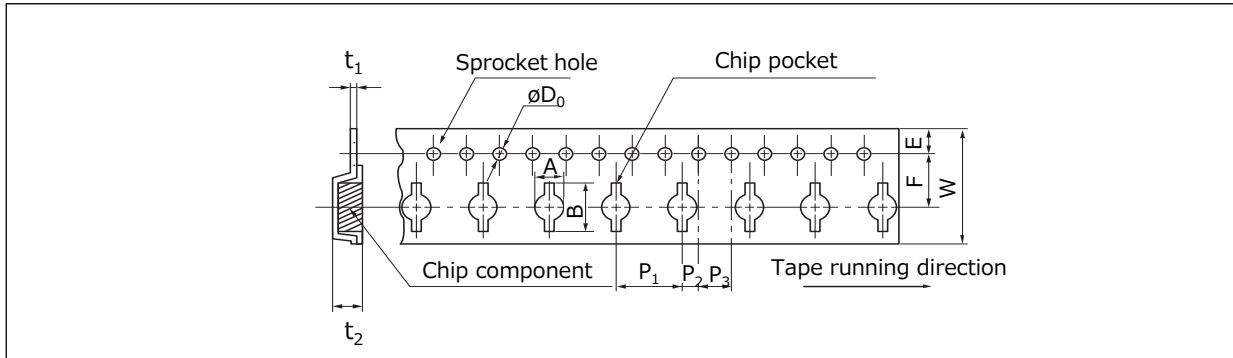


**Packaging Methods (Taping)**

● Standard Packing Quantity

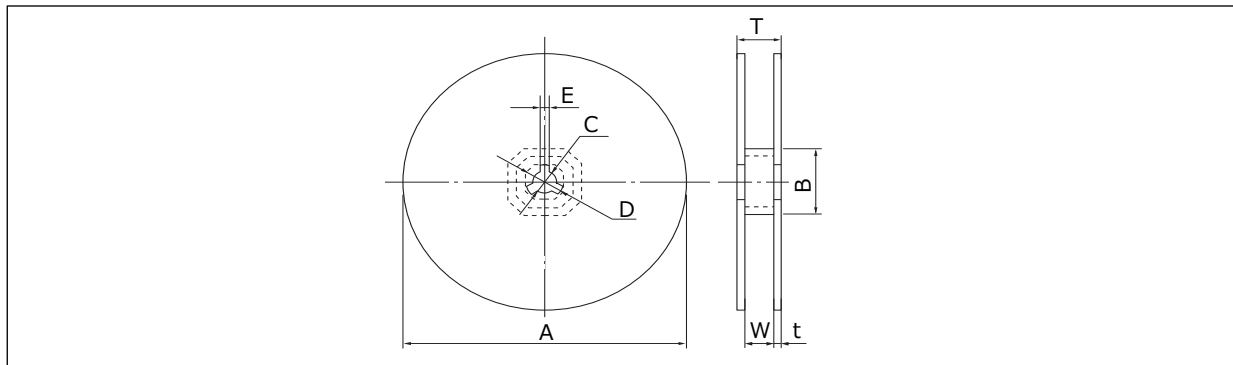
Packaging	Quantity per reel	Kind of Taping
B	1,000 pcs	Embossed Carrier Taping
C	5,000 pcs	

● Embossed Carrier Tape Dimensions in mm (not to scale)



Part No.	A	B	W	E	F	P <sub>1</sub>	P <sub>2</sub>	P <sub>0</sub>	øD <sub>0</sub>	t <sub>1</sub>	t <sub>2</sub>
ELT3KN	3.7	6.4	12.0	1.75	5.5	8.0	2.0	4.0	1.5	0.3	2.6

● Reel Dimensions in mm (not to scale)



Packaging	A	B	C	D	E	W	t	T
B	180	60	13	21	2	13	1.1	15.2
C	370	60	13	21	2	14	2.0	18.0

● Leader Part, Vacant Position

