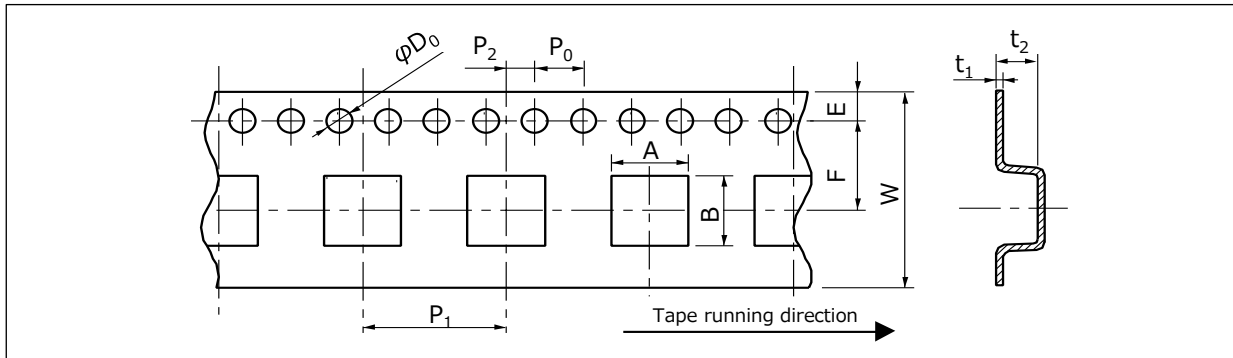


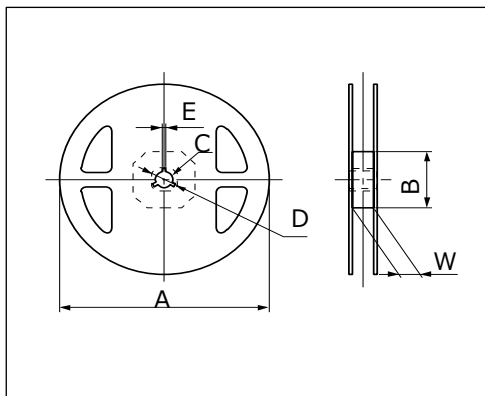
**Packaging Methods (Taping)**

- Embossed Carrier Tape Dimensions in mm (not to scale)



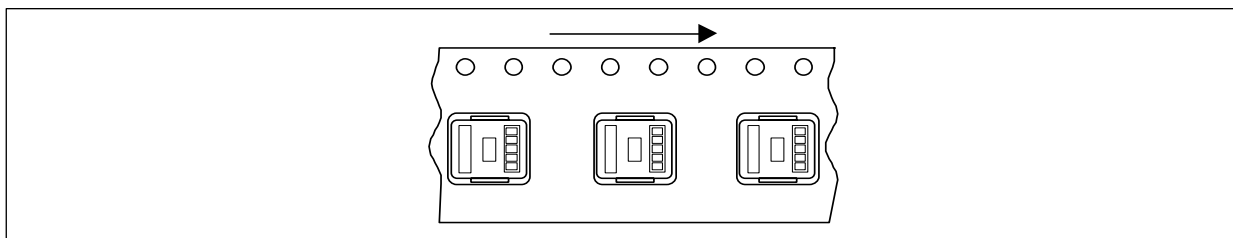
| Series     | A    | B    | W  | E    | F    | P <sub>1</sub> | P <sub>2</sub> | P <sub>0</sub> | φD <sub>0</sub> | t <sub>1</sub> | t <sub>2</sub> |
|------------|------|------|----|------|------|----------------|----------------|----------------|-----------------|----------------|----------------|
| PCC-M0730L | 7.6  | 8.9  | 16 | 1.75 | 7.5  | 12             | 2              | 4              | 1.5             | 0.4            | 4.2            |
| PCC-M0740L | 7.6  | 8.9  | 16 | 1.75 | 7.5  | 12             | 2              | 4              | 1.5             | 0.4            | 4.3            |
| PCC-M1040L | 10.6 | 11.8 | 24 | 1.75 | 11.5 | 16             | 2              | 4              | 1.5             | 0.4            | 5.2            |
| PCC-M1250L | 13.1 | 14.8 | 24 | 1.75 | 11.5 | 16             | 2              | 4              | 1.5             | 0.4            | 5.3            |

- Taping Reel Dimensions in mm (not to scale)



| Series     | A   | B  | C  | D  | E | W    |
|------------|-----|----|----|----|---|------|
| PCC-M0730L | 380 | 80 | 13 | 21 | 2 | 17.5 |
| PCC-M0740L |     |    |    |    |   | 25.4 |
| PCC-M1040L |     |    |    |    |   |      |
| PCC-M1250L |     |    |    |    |   |      |

**Component Placement (Taping)**



**Standard Packing Quantity/Reel**

| Series     | Part No.     | Minimum Quantity/ Packing Unit | Quantity per reel |
|------------|--------------|--------------------------------|-------------------|
| PCC-M0730L | ETQP3L□□□CFM | 3,000 pcs / box (2 reel)       | 1,500 pcs         |
| PCC-M0740L | ETQP4L□□□AFM |                                |                   |
| PCC-M1040L | ETQP4L□□□WFC | 2,000 pcs / box (2 reel)       | 1,000 pcs         |
|            | ETQP4L□□□XFC |                                |                   |
|            | ETQP4L□□□AFC |                                |                   |
| PCC-M1040L | ETQP4LR19WFC | 1,000 pcs / box (2 reel)       | 500 pcs           |
| PCC-M1250L | ETQP5L□□□XFA |                                |                   |